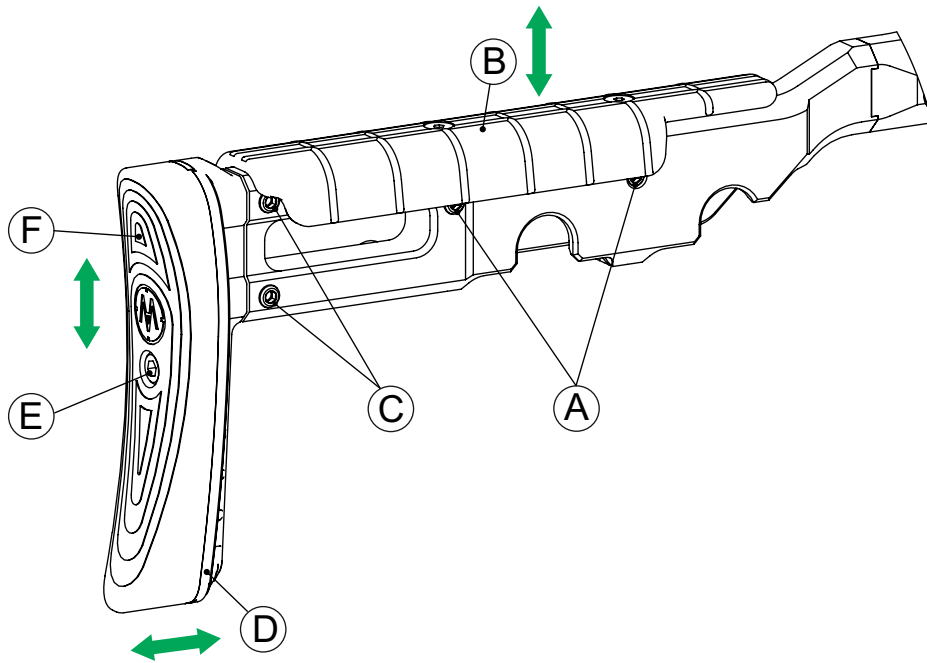


# STOCK ADJUSTMENT

*KATRAN*



## **Cheek-piece height adjustment:**

Loosen screws (A). Move cheek-piece (B) up or down to height adjustment. Tight screws (A).

## **Stock length adjustment:**

Loosen screws (C). Move butt-stock (D) forward or backward to length adjustment. Tight screws (C).

## **Butt-pad height adjustment:**

Loosen screws (E). Move butt-pad (F) up or down to height adjustment. Tight screws (E).