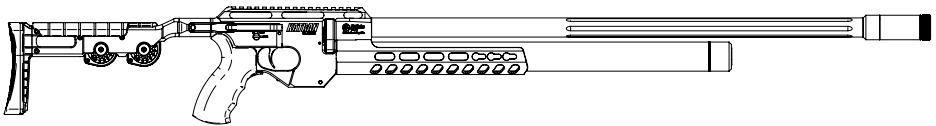
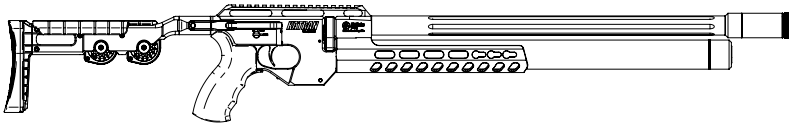
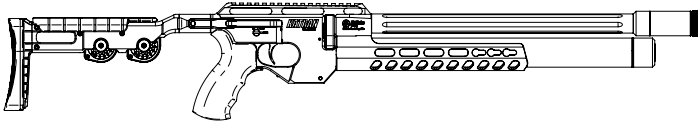
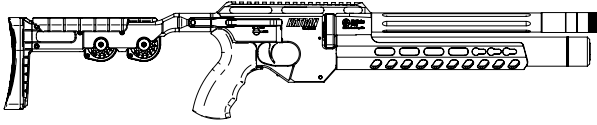
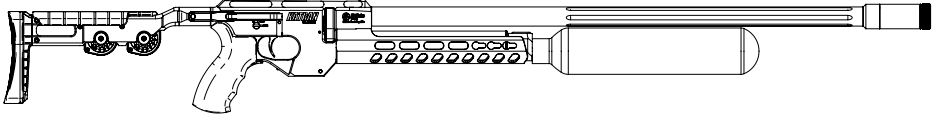
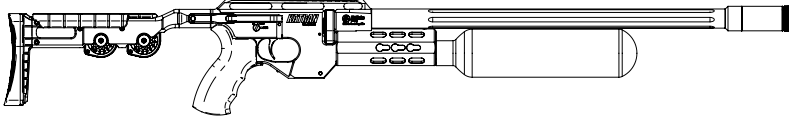
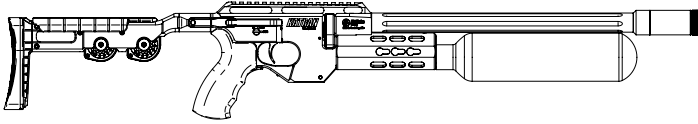
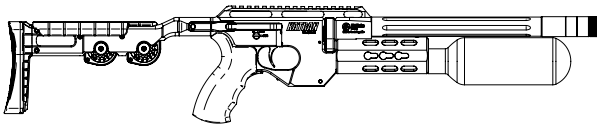




**AirMaks**  
arms



***KATRAN***



**USER MANUAL**

## **DEAR CUSTOMER,**

Thank you for purchasing an **AirMaks arms** model **KATRAN** designed & produced by **Haferrest-Praha s.r.o.**

You are in possession of our latest air gun in PCP technology and we believe that we have done everything possible to achieve the best results with this gun.

If you have any questions, please feel free to contact us by email:

**airmaksarms@gmail.com**

Yours sincerely, **Haferrest-Praha s.r.o.**

## **WARNING! THIS IS NOT A TOY!**

Read this manual carefully before using the weapon. The User Manual contains information that must be followed for the safe and trouble-free use of this product. Be sure to read the safety instructions listed.

**WARNING!** This weapon may only be held or carried by a person older than 18 years old.

Improper or negligent treatment may result in personal injury, death, or property damage. The same consequences may result from modifying parts of the weapon, using the wrong type of ammunition or neglecting the operating instructions.

## **The manufacturer is in no way responsible for the consequences of negligence and improper handling!**

When using, observe the rules of safe handling with weapons.

## **INSTRUCTIONS FOR SAFE HANDLING OF WEAPONS**

Always treat your weapon as if it were loaded!

Always put the gun away or hand it to another person unloaded.

Do not leave a loaded weapon unattended.

The consumption of alcohol or drugs is prohibited when handling weapons.

Always be sure where you are shooting and what is behind your target. Do not shoot against hard surfaces like concrete / stone or in places where you cannot guarantee the safe impact of the projectile (bushes).

Keep the weapon secure, out of the reach of children

Do not modify any parts of the weapon. Improper intervention will void the warranty.

Never use the gun for any purpose other than shooting at paper / metal targets.

Before loading the gun, make sure that the barrel muzzle, chamber and breech are clean and clear of obstructions.

Before cleaning the rifle or otherwise manipulating the rifle, remove the magazine and make dry shot.

## GENERAL DESCRIPTION

The weapon is supplied in a high-quality case suitable for safe transport.

Each weapon is tested in the factory according to demanding criteria and great emphasis is placed on ensuring the quality of individual parts, which ensures reliable functionality and accuracy for the user.

The manufacturer is not able to influence how the weapon is handled after shipment from the factory, so when you purchase a weapon, please make sure that the weapon you are buying is complete and undamaged.

## NOTICE!

The gun and its components have been set from the factory for the best functionality and performance of the model. Unauthorized/unprofessional interference with a weapon can adversely affect reliability, but it can also cause irreversible damage to the weapon or damage your health or property.

## GUARANTEES

Haferrest-Praha s.r.o., manufacturer of air gun model **KATRAN**, provides a 24 month warranty on the proper functioning of the gun as a whole and any defects of individual parts. The warranty becomes effective on the day of sale.

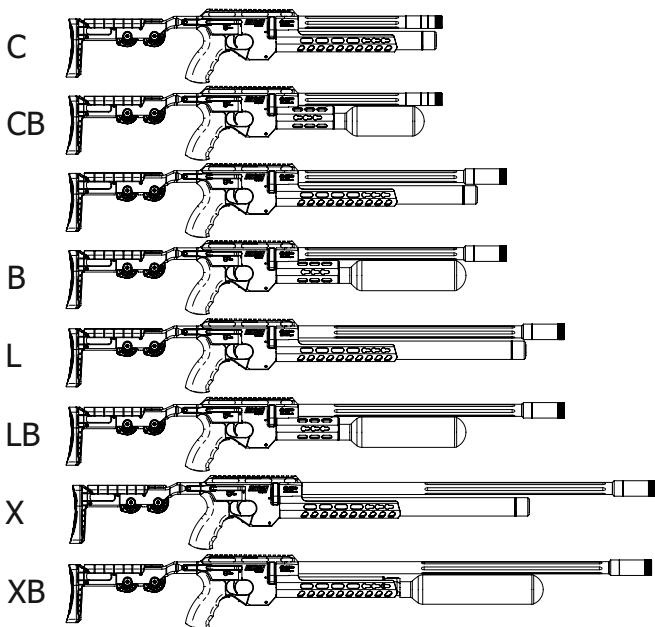
The warranty does not cover:

1. Mechanical failures caused by improper handling (mechanical damage, fall damage, etc.).
2. Cases in which the weapon was tampered with by an unofficial service or other person
3. Defects caused by the use of other types of ammunition than recommended by the manufacturer.
4. Failure to follow the instructions contained in this manual.

If a delivery service is used to transport the weapon, check the box for any damage upon receipt. The manufacturer bears no responsibility for damages incurred during transport. Any claims must be resolved within the delivery service.

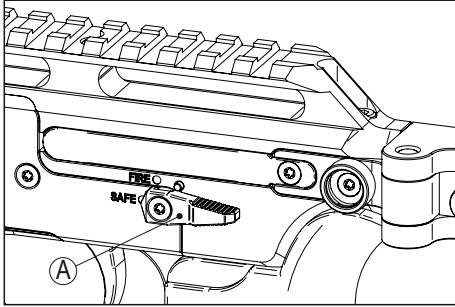
## COMPLETE SET CONTENTS

- gun in a high-quality case
- filling probe
- 1 magazine
- user manual

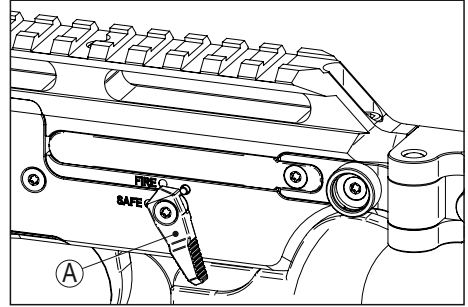


	<b>KATRAN C/CB</b>	<b>KATRAN /B</b>	<b>KATRAN L/LB</b>	<b>KATRAN X/XB</b>
<b>Overall length, mm</b>	775	910	1030	1210
<b>Folded length, mm</b>	530	684	804	984
<b>Weight (unscoped), kg</b>	2,3	2,53 / 2,66	2,82	3 / 3,3
<b>Caliber</b>	4,5 (.177), 5,5 (.22), 6,35 (.25)			
<b>Barrel length, mm</b>	280	400	520	700
<b>Air cylinder capacity, cc</b>	165 / 300	200 / 480	285 / 480	285 / 600
<b>Maximum fill pressure, bar</b>	300			
<b>Loading</b>	Magazine			
<b>Magazine, shot</b>	4,5 (.177) - 18 / 5,5 (.22) - 16 / 6,35 (.25) - 14			
<b>Safety</b>	Manual, left-right side changeable			
<b>Trigger</b>	Adjustable for 2-stage and weight			
<b>Cocking</b>	Side lever action - manual reversible			
<b>Sight</b>	Picatinny scope rail			
<b>Stock</b>	Foldable; adjustable cheek-piece, adjustable butt-pad			
<b>Grip</b>	AR15 right hand			
<b>Additional information</b>	Handguard with 9 Keymod slots, 1/2" UNF moderator thread			

## SAFETY



Move the safety lever (A) to the «SAFE» mark position to lock the weapon.

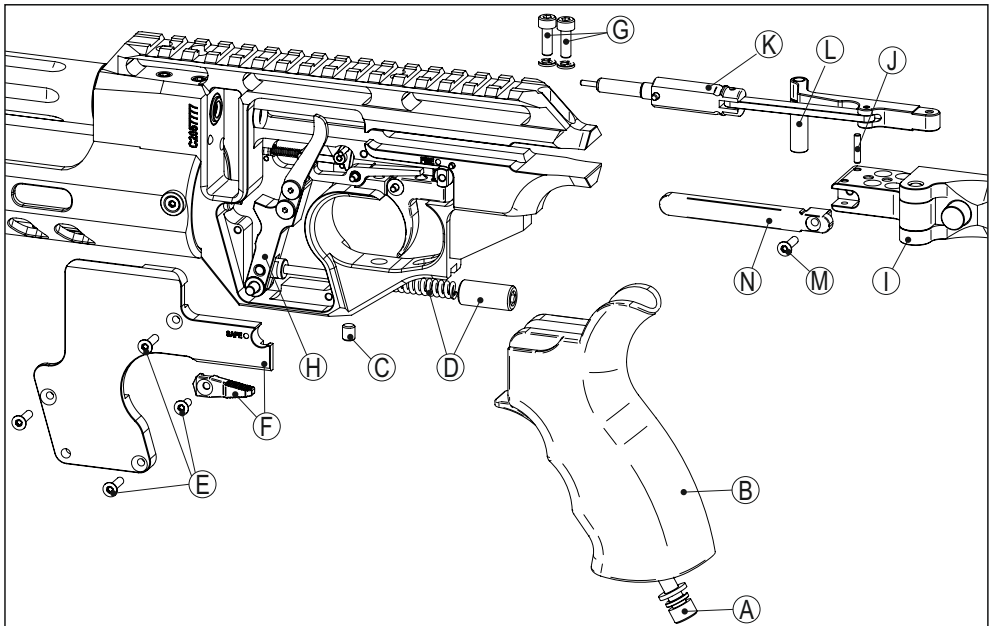


Move the safety lever (A) to the «FIRE» mark position for shooting.

## CHANGING THE SIDE LEVER

For the best shooting comfort You can change the side of the side lever. To replace the side of the lever correctly follow the steps below:

- unscrew the screw (A) and remove grip (B)
- loosen the screw (C), unscrew screw (D) and extract spring (D)
- unscrew screws (E) and remove safety pivot (F) and receiver cover (F)
- unscrew screws (G), move the hammer toward to You and remove stock (I) with feeder unit (K)
- remove the pin (J), unscrew the screw (M) and remove plug (N)
- unscrew the handle (L) and screw it on the other side
- change the configuration to the left / right version
- assemble all parts in reverse order



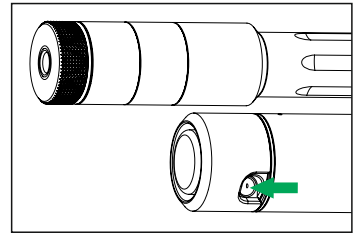
## FILLING THE AIR TANK

Use only compressed air!

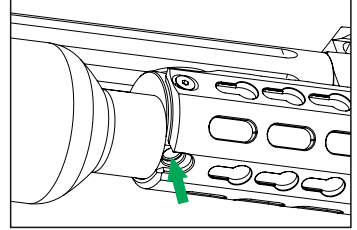
Do not use any other gases, including oxygen, which can cause a flame or explosion that can result in serious injury or death.

Do not attempt to disassemble the air rifle to repair the valve or any filler. Components can fly away from the weapon at a dangerous speed due to high pressure.

Fill the gun slowly up to approx. 300 bar! Too fast filling would result in excessive heating and thus inaccurately indicating the barometer condition. Do not overfill the gun to more than 300 bar. Doing so may damage the weapon. After filling, bleed excess air with the bleed screw on your filling device, then the filling hose can be safely disconnected.



Air cylinder version



Carbon bottle version

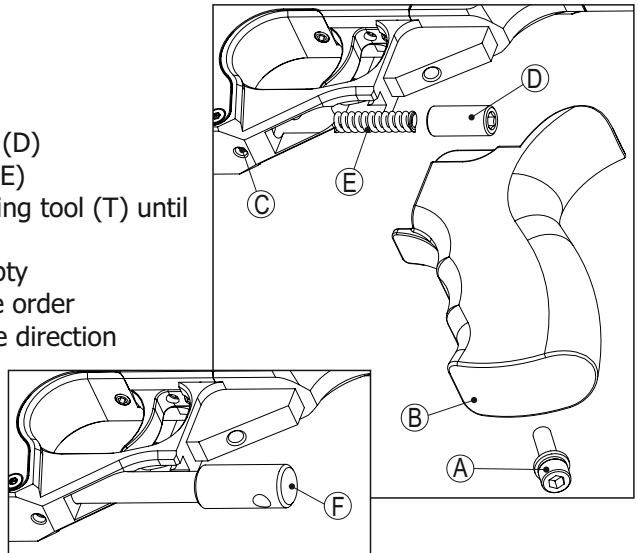
## DISCHARGING THE AIR TANK

**WARNING!** BEFORE DISCHARGING EXTRACT MAGAZINE, ENSURE THE CHAMBER IS EMPTY AND THE RIFLE IS NOT COCKED.

During these steps keep the barrel in the safe direction where is no people, pets and small objects because of huge amount of pressurized air will leave trough the barrel.

Follow the steps below:

- unscrew the screw (A)
- remove the grip (B)
- loosen the screw (C)
- unscrew the hammer screw (D)
- extract the hammer spring (E)
- carefully screw the discharging tool (T) until air starts to release
- wait until the air tank is empty
- assemble all parts in reverse order
- make a few dry shots in safe direction



## **WEAPON CLEANING AND MAINTENANCE**

Always keep your gun in a dry, dust-free environment. Keep your weapon in accordance with the manual for its long life.

After shooting we recommend to clean the gun with a soft cloth. To clean the inside of the barrel use special cleaning agents designed for weapons. Wipe other parts of the rifle with a dry cloth. To clean the body of the weapon use non-aggressive cleaning agents designed to clean and maintain the wood.

To maintain maximum accuracy the barrel must be regularly cleaned and serviced. Only use products designed for this purpose.

Clean the gun immediately if it is exposed to moisture / rain!  
Clean and inspect the gun at least once a year in mild climatic conditions.  
Clean the gun at least once a month in severe climatic conditions.

Lubricate all moving parts of the weapon at least once a year.

### **WARNING!**

**IF ANY FAILURE IS DURING SHOOTING, DISCHARGE THE WEAPON, NEVER DIRECT OUTSIDE THE SAFE AREA AND OBSERVE SAFE HANDLING DURING THE DETECTION AND REMOVAL. IF YOU CAN'T FIX THE PROBLEM ON THE SPOT, CONTACT AN AUTHORIZED SERVICE.**

## **AMMUNITION**

The high level of barrel is intended only for the use of quality pellets in the same caliber as the manufactured weapon. Do not use warped or otherwise damaged pellets.

**Haferrest-Praha s.r.o.** reserves the right to make changes and improvements to any product and product parts described in this document without prior notice.

All other product information can be found on the company's website [www.airmaksarms.com](http://www.airmaksarms.com)

**AirMaks arms** is a trademark of **Haferrest-Praha s.r.o.**

**Haferrest-Praha s.r.o.**  
Lukavecka 1732  
193 00 Prague  
Czech Republic  
[www.airmaksarms.com](http://www.airmaksarms.com)  
[airmaksarms@gmail.com](mailto:airmaksarms@gmail.com)

